

Milesight

NDAA ✓

AI Motorized Pro Bullet Network Camera



IP66

Motorized Lens

DATASHEET



Key Features

- ▶ NDAA Compliance (The fully NDAA-compliant products are well suited for government, defense and a range of projects subject to the NDAA.)
- ▶ Smart IR II (Combining the High Beam and Low Beam to adjust IR intensity to fit different lighting conditions.)
- ▶ HLC (High Light Compensation. Improving image visibility under strong light sources.)
- ▶ 140dB Super WDR (Excellent performance even when the ratio of the luminosity of brightest and darkest is up to 140dB.)
- ▶ 90fps High Frame Rate (Camera can easily catch images with no latency despite of the high-speed movement.)
- ▶ 1TB (Supporting ultra-large external microSD/SDHC/SDXC card storage up to 1TB.)
- ▶ Smart Stream (Bandwidth, storage and bit rate are saved with Smart Stream On, eg, H.265+ saves 70%~80% bandwidth that of H.264.)

AI Video Analytics

- 9 intelligent VCA modes powered by AI engine, which can intelligently filter objects to focus on human and vehicle detection.
- People Counting technology provides high accuracy and real-time data based on AI algorithm with statistic reports.
- Face Detection function detects human faces in the monitoring scene and captures the snapshots, which greatly enhances the monitoring efficiency.



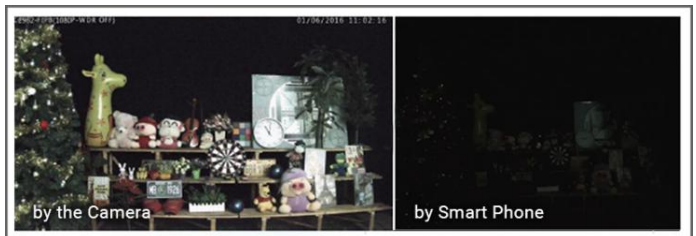
30fps@4K

Providing 4K HD resolution with frame rate of 30fps, the camera performs well in catching detailed image regardless of the moving speed.



0.005Lux Ultra Low-light

The starlight camera is able to deliver high detailed color images even in low light environment reaching 0.005Lux(Color) or 0Lux(B/W), and near infrared light environments without any supplementary lighting.



Integrated Cable Management Bracket

Integrated Cable Management provides easier and faster installation for the users. Versatile interfaces such as PoE, DC, Audio I/O and Alarm I/O are available. The well-designed integrated junction box also makes the cable connection neat and tidy.



AI Motorized Pro Bullet Network Camera



	Model	MS-C2962-R(T)F(I)PE (2MP)	MS-C5362-F(I)PE (5MP)
Camera	Image Sensor	1/2.8" Progressive Scan CMOS	
	Min. Illumination	Color: 0.005Lux@F1.4 B/W: 0Lux with IR on	Color: 0.008Lux@F1.4 B/W: 0Lux with IR on
	WDR	140dB Super WDR	120dB Super WDR
	Shutter Time	1/100000s~1s	
	IR Distance	Up to 60m(3.0~10.5mm/2.7~13.5mm) Up to 100m(7~22mm)	
	Day/Night Mode	Day/Night/Auto/Customize/Schedule	
	S/N	>55dB	
Lens	Lens	Motorized 2.7~13.5mm/3.0~10.5mm/7~22mm@F1.4 P-Iris(Optional)	
	Field of View	H92°~H32°/D107°~D37° /V51°~V18° (2.7~13.5mm) H93°~H33°/D107°~D38° /V52°~V18° (3.0~10.5m) H40°~H16°/D46°~D19° /V23°~V9° (7~22mm)	H89°~H30°/D111°~D37° /V66°~V22° (2.7~13.5mm) H90°~H31°/ D114°~D38° / V67°~V23° (3.0~10.5mm) H37°~H15°/D47°~D19° /V28°~V11° (7~22mm)
	Mount	Φ14	
	Focus Control	Auto/Manual	
	Iris Control (Optional for I Series)	Auto/Manual	
Video	Max. Image Resolution	1920x1080	2592x1944
	Primary Stream	60Hz: 90fps@(1920x1080)(Optional for T Series) , 60fps@(1920x1080, 1280x960, 1280x720, 704x576) 50Hz: 90fps@(1920x1080)(Optional for T Series) , 50fps@(1920x1080, 1280x960, 1280x720, 704x576)	60Hz: 30fps@(2592x1944, 2592x1520), 45fps@(2048x1536), 60fps@(1920x1080, 1280x960, 1280x720) 50Hz: 25fps@(2592x1944, 2592x1520), 45fps@(2048x1536), 50fps@(1920x1080, 1280x960, 1280x720)
	Secondary Stream	60Hz: 60fps@(704x576, 640x480, 640x360, 352x288, 320x240) 50Hz: 50fps@(704x576, 640x480, 640x360, 352x288, 320x240)	
	Tertiary Stream	60Hz: 30fps@(1920x1080, 1280x720, 704x576, 640x480, 640x360, 352x288, 320x240) 50Hz: 25fps@(1920x1080, 1280x720, 704x576, 640x480, 640x360, 352x288, 320x240)	
	Video Compression	H.265+/H.265(HEVC)/H.264+/H.264/MJPEG	
	Video Bit Rate	16Kbps~16Mbps(CBR/VBR Adjustable)	
	Privacy Masking	Up to 8 Areas (Mask Area and Mosaic Area are optional)	
	ROI	Up to 8 areas	
Image Setting	Brightness/Contrast/Saturation/Sharpness		

AI Motorized Pro Bullet Network Camera



Interface	Ethernet	1*RJ45 10M/100M Ethernet Port	
	Audio I/O	1/1	
	Alarm I/O	1/1	
Network	Network Storage	NAS(Support NFS, SMB/CIFS)	
	Protocol	IPv4/IPv6, ARP, TCP, UDP, RTCP, RTP, RTSP, RTMP, HTTP, HTTPS, DNS, DDNS, DHCP, FTP, NTP, SMTP, SNMP, UPnP, Bonjour, SIP, PPPoE, VLAN, 802.1x, QoS, IGMP, ICMP, SSL, TLS 1.2	
Audio	Audio Compression	G.711/AAC/G.722/G.726	
	Audio Sampling Rate	8/16/32/44.1/48KHz	
	Audio Bit Rate	16~256kbps	
Intelligent Analytics	Video Analysis	Intrusion Detection, Region Entrance, Region Exiting, Advanced Motion Detection, Tamper Detection, Line Crossing, Loitering, Object Left, Object Removed	
	Face Detection&Face Attribute Recognition	Detect and capture faces, get real-time snapshots; The attributes include Age, Gender, Glasses, Mask and Cap; Support Faces Privacy Mode, the detected faces in the face detection area will be mosaic automatically.	
	Object Counting & Report	Count the number of objects crossing the line, optionally human and vehicle, Support regional people counting for up to 4 detection areas	
System	Storage	Support microSD/SDHC/SDXC Card Local Storage, up to 1TB	
	Advanced Function	Heat Map, BLC, HLC, 2D DNR, 3D DNR, Defog, AWB, IP Address Filtering, AGC, Anti-flicker, Corridor Mode, Deblur, Watermark	
	SIP/VoIP Support	Yes, Voice & Video-over-IP	
	Event Trigger	Motion Detection, Network Disconnection, External Input, Audio Alarm, etc.	
	Event Action	FTP Upload, SMTP Upload, SD Card Record, External Output, SIP Phone, HTTP Notification, etc.	
	System Compatibility	ONVIF Profile G & M & S & T, API	
General	Working Temperature	-40°C~60°C	
	Working Humidity	0~95%(Non-condensing)	
	Power Supply	PoE (802.3af) / DC 12V±10%	
	Power Consumption	7W MAX 8W MAX(With IR on)	5W MAX 7W MAX(With IR on)
	Housing	Up to IP67-rated for Weather-resistant Performance	
	Weight	1080g	
	Dimensions	134mmX126mmX285mm	
	Warranty	3/5 Years	

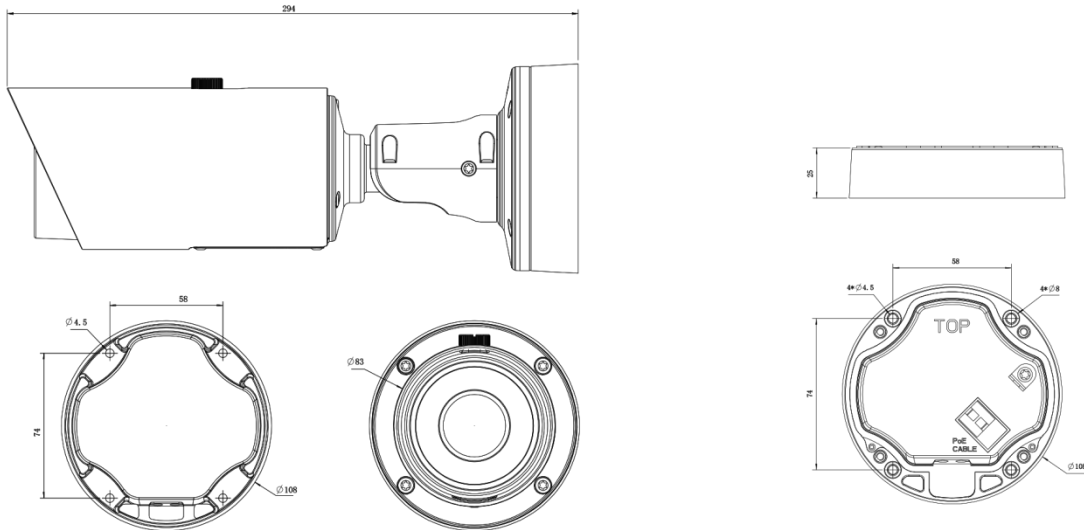
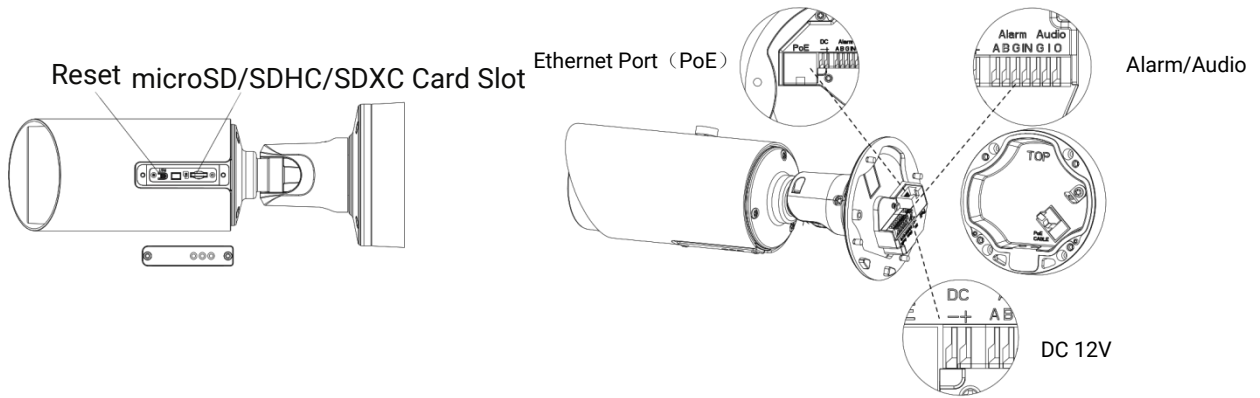
AI Motorized Pro Bullet Network Camera



	Model	MS-C6762-F(I)PE (6M)	MS-C8162-F(I)PE (4K)
Camera	Image Sensor	1/2.4" Progressive Scan CMOS	1/2.8" Progressive Scan CMOS
	Min. Illumination	Color: 0.005Lux@F1.6 B/W: 0Lux with IR on	Color: 0.012Lux@F1.4 B/W: 0Lux with IR on
	WDR	120dB Super WDR	
	Shutter Time	1/100000s~1s	
	IR Distance	Up to 60m	
	Day/Night Mode	Day/Night/Auto/Customize/Schedule	
	S/N	>55dB	
	Lens	Lens	Motorized 2.7-13.5mm@F1.6 P-Iris(Optional)
Field of View		H112°~H38°/D129°-D44°/V61°~V22°	H96°~H33°/ D112°~D37°/ V53°~V18°
Mount		Φ14	
Focus Control		Auto/Manual	
Iris Control (Optional for I Series)		Auto/Manual	
Video	Max. Image Resolution	3200x1800	3840x2160
	Primary Stream	60Hz: 30fps@(3200x1800, 2560x1440, 1920x1080, 1280x720) 50Hz: 25fps@(3200x1800, 2560x1440, 1920x1080, 1280x720)	60Hz: 30fps@(3840x2160, 3072x2048, 2592x1944, 2592x1520, 2048x1536, 1920x1080, 1280x960, 1280x720, 704x576) 50Hz: 25fps@(3840x2160, 3072x2048, 2592x1944, 2592x1520, 2048x1536, 1920x1080, 1280x960, 1280x720, 704x576)
	Secondary Stream	60Hz: 30fps@(1280x720, 640x480, 640x360) 50Hz: 25fps@(1280x720, 640x480, 640x360)	60Hz: 60fps@(704x576, 640x480, 640x360, 352x288, 320x240) 50Hz: 50fps@(704x576, 640x480, 640x360, 352x288, 320x240)
	Tertiary Stream	60Hz: 30fps(1280x720, 640x480, 640x360) 50Hz: 25fps(1280x720, 640x480, 640x360)	60Hz: 30fps@(1920x1080, 1280x720, 704x576, 640x480, 640x360, 352x288, 320x240) 50Hz: 25fps@(1920x1080, 1280x720, 704x576, 640x480, 640x360, 352x288, 320x240)
	Video Compression	H.265+/H.265(HEVC)/H.264+/H.264/MJPEG	
	Video Bit Rate	16Kbps~16Mbps(CBR/VBR Adjustable)	
	Privacy Masking	Up to 8 Areas (Mask Area and Mosaic Area are optional)	
	ROI	Up to 8 areas	
	Image Setting	Brightness/Contrast/Saturation/Sharpness	



Structure Diagrams



Units: mm

Accessories Support

A62 Junction Box(Default)

Weight: 510g

Dimensions: 134*126*40mm



A02 V2 Pole Mount

Weight: 1kg

Dimensions: 180*136*46mm



A03 External Corner Bracket

Weight: 900g

Dimensions: 170*152.5*76.3mm

